

FEDERAL SUPPLY CLASS
4730

**REV.
C**

AS21922™

RATIONALE

THIS DOCUMENT HAS BEEN DETERMINED TO CONTAIN BASIC AND STABLE TECHNOLOGY WHICH IS NOT DYNAMIC IN NATURE.

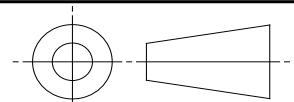
STABILIZED NOTICE

THIS DOCUMENT HAS BEEN DECLARED "STABILIZED" BY THE SAE G-3, AEROSPACE COUPLINGS, FITTINGS, HOSE, TUBING ASSEMBLIES COMMITTEE AND WILL NO LONGER BE SUBJECTED TO PERIODIC REVIEWS FOR CURRENCY. USERS ARE RESPONSIBLE FOR VERIFYING REFERENCES AND CONTINUED SUITABILITY OF TECHNICAL REQUIREMENTS. NEWER TECHNOLOGY MAY EXIST.

SAE Technical Standards Board Rules provide that: "This report is published by SAE to advance the state of technical and engineering sciences. The use of this report is entirely voluntary, and its applicability and suitability for any particular use, including any patent infringement arising therefrom, is the sole responsibility of the user." SAE reviews each technical report at least every five years at which time it may be revised, reaffirmed, stabilized, or cancelled. SAE invites your written comments and suggestions.

SAE values your input. To provide feedback on this Technical Report, please visit <http://standards.sae.org/AS21922C>

THIRD ANGLE PROJECTION



ISSUED 1998-08 REVISED 2006-05 REAFFIRMED 2015-04 STABILIZED 2017-05

CUSTODIAN: G-3/G-3B

PROCUREMENT SPECIFICATION: /15/ AS18280



AEROSPACE STANDARD

SLEEVE, COUPLING, FLARELESS

AS21922™

**REV.
C**

WARNING

THIS DOCUMENT INCLUDES CADMIUM AS A PLATING MATERIAL. THE USE OF CADMIUM HAS BEEN RESTRICTED AND/OR BANNED FOR USE IN MANY COUNTRIES DUE TO ENVIRONMENTAL AND HEALTH CONCERNS. THE USER SHOULD CONSULT WITH LOCAL OFFICIALS ON APPLICABLE HEALTH AND ENVIRONMENTAL REGULATIONS REGARDING ITS USE.

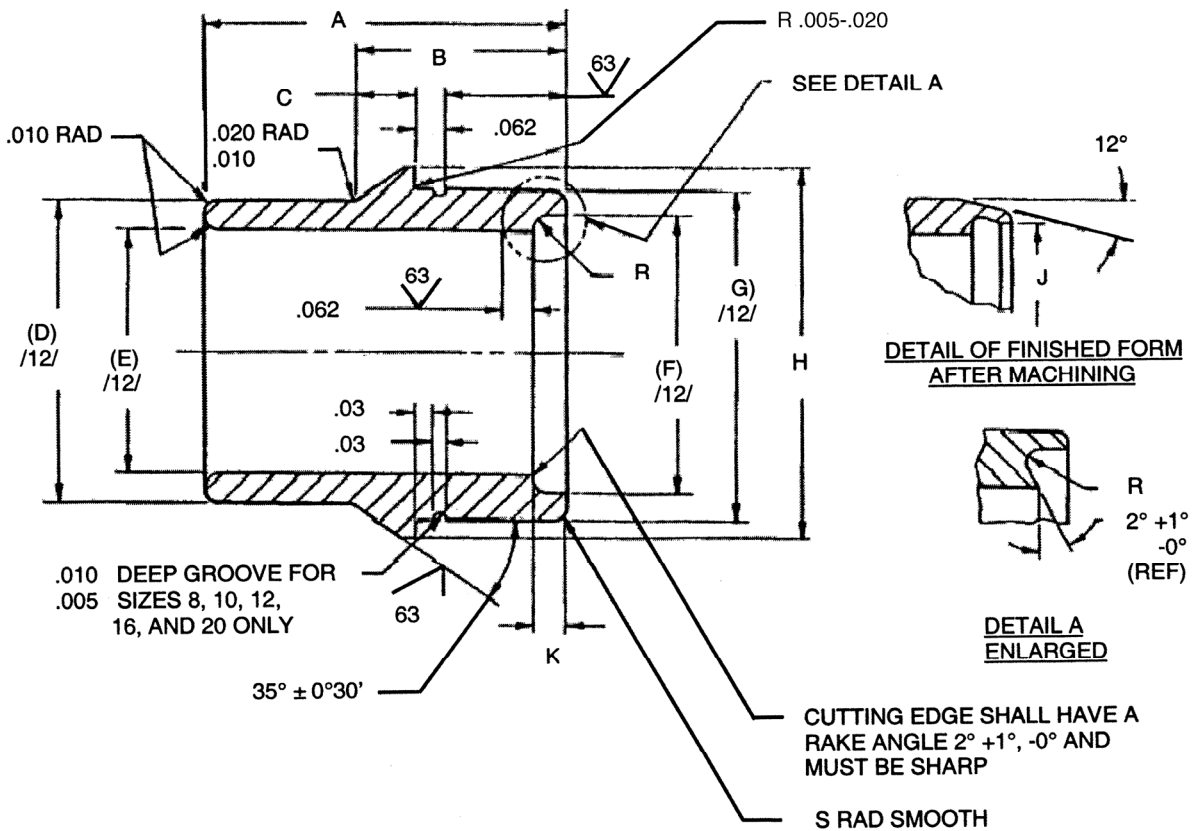


FIGURE 1 - SLEEVE, COUPLING, FLARELESS

	AEROSPACE STANDARD	AS21922™ SHEET 1 OF 3	REV. C
	SLEEVE, COUPLING, FLARELESS		